

GEAQUELLO® E 950 SEALING SYSTEM

PRODUCT OVERVIEW



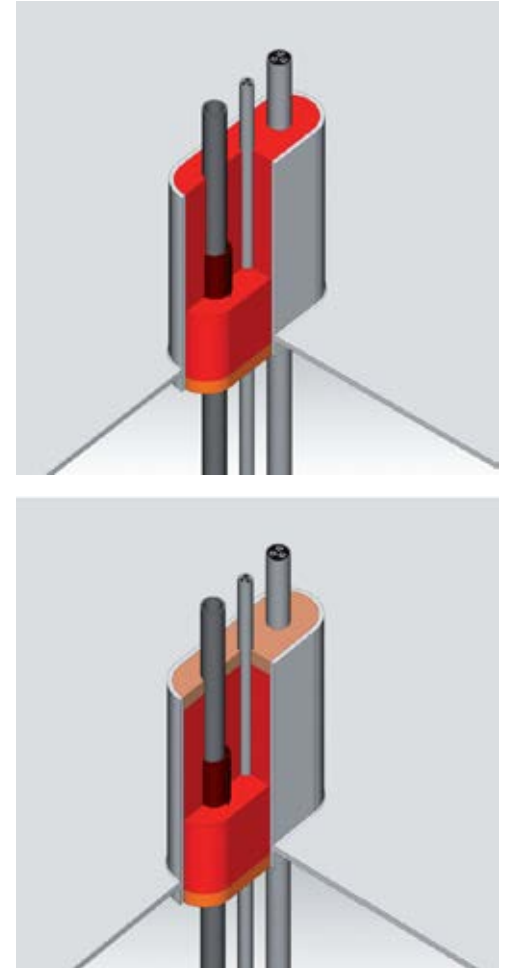
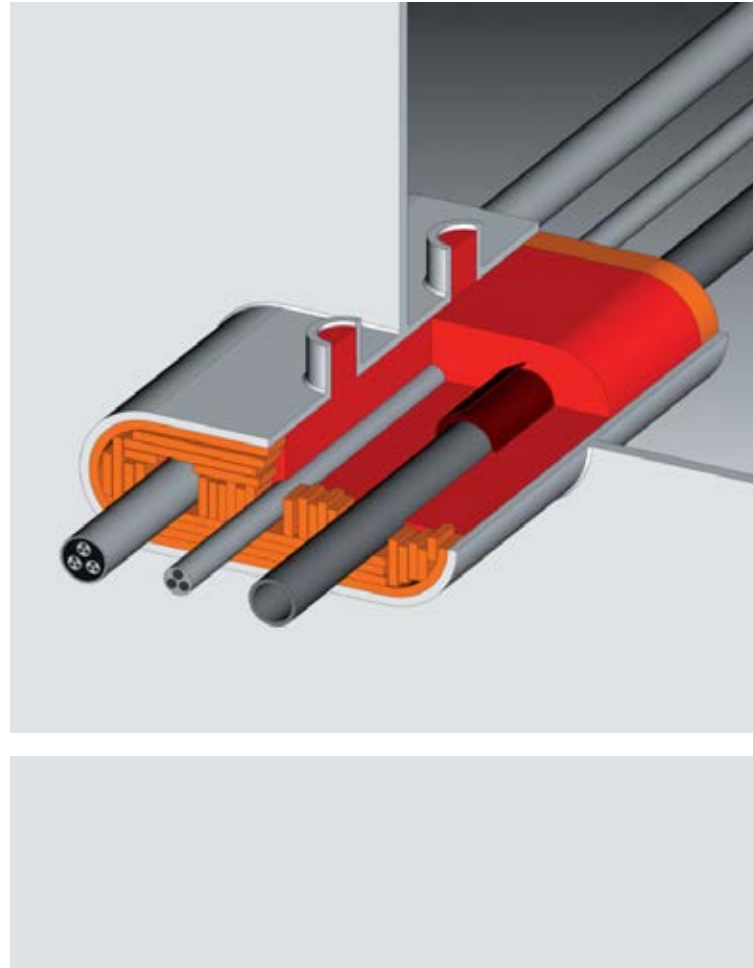
ELNOVIS

PRODUCT OVERVIEW

GEAQUELLO® E 950 SEALING SYSTEM

GEAQUELLO® E 950 is a sealing system for making removable, fire-retardant, gas- and watertight cable and pipe ducts for ships and offshore applications.

GEAQUELLO® has successfully passed various tests on water tightness up to pressure of 2.5 bar and all necessary fire tests for A 60 and offshore. It is approved by all reputable classification societies and national authorities. The test surpass the safety requirements of the IMO-Resolution A.754(18)/ FTP-Code 2010 (Resolution) MSC.307(88) regulations for divisional surfaces of the type A-60.



ELNOVIS

www.elnovis.com

GEAQUELLO® E 950 SEALING SYSTEM

info@elnovis.com

PRODUCT OVERVIEW

MATERIALS



E950

Sealing
Compound



R380

Swell
Modules



E824

Impregnation
Fluid

A365

Fire
Protecting
Strip



ELNOVIS

www.elnovis.com

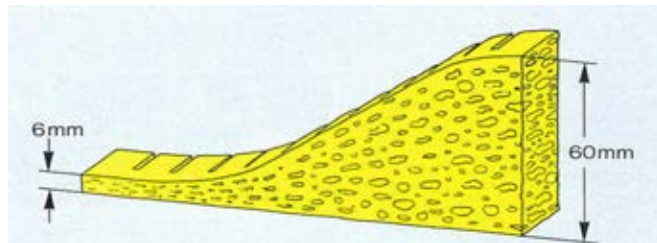
GEAQUELLO® E 950 SEALING SYSTEM

Tel: +30 210 4821 100

PRODUCT OVERVIEW

APPLICATION STEPS

- 1_ Build up a front wall with swelling R 380.
- 2_ Impregnate the swelling modules with the blue impregnation fluid E 824



- 3_ Mix the sealing compound in proportion 1 part water 2 parts E 950 powder.
- 4_ Fill or pump the sealing mass into the penetrations.
- 5_ If it is required, cover the penetrations with E 292, E 292T or A 386 if it's wet in the installation.

Please note that for plastic pipes an A 365 strip has to be wrapped around before proceeding to the application steps.



PRODUCT OVERVIEW

SOLAS CERTIFIED APPLICATION FOR CABLES

1_



2_



3_



4_



5_



6_



ELNOVIS

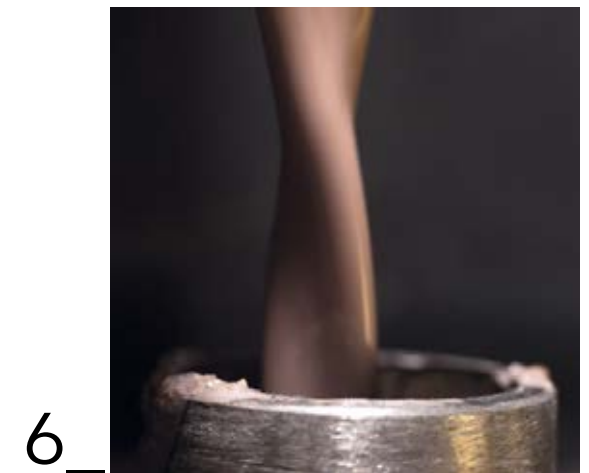
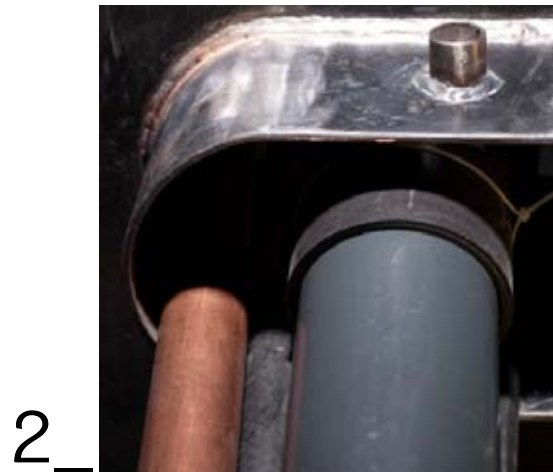
www.elnovis.com

GEAQUELLO® E 950 SEALING SYSTEM

Tel: +30 210 4821 100

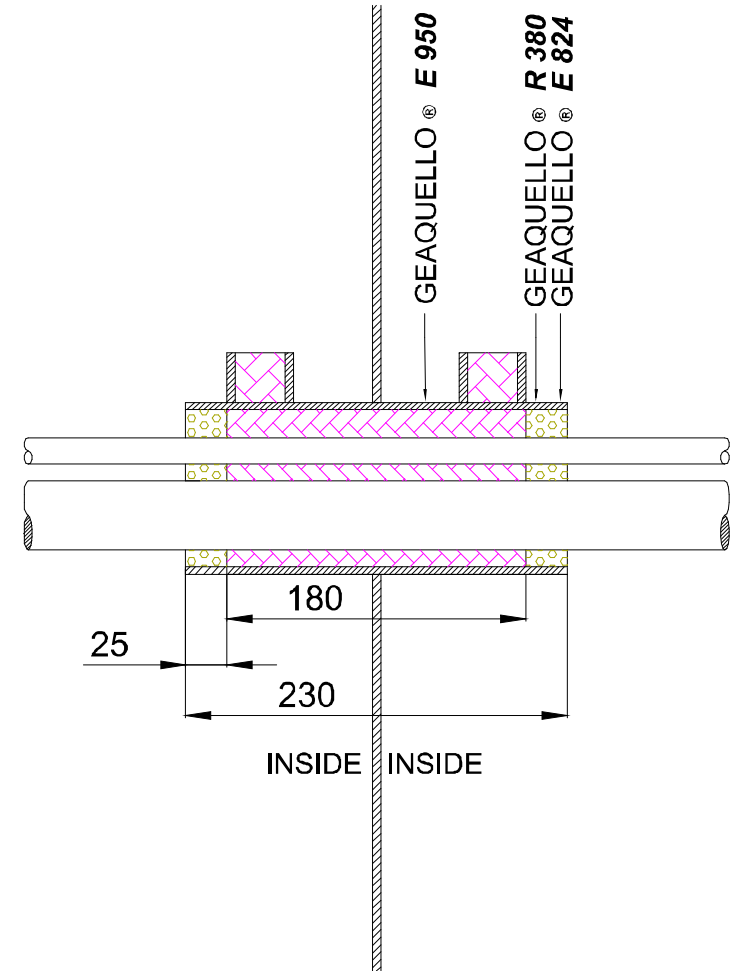
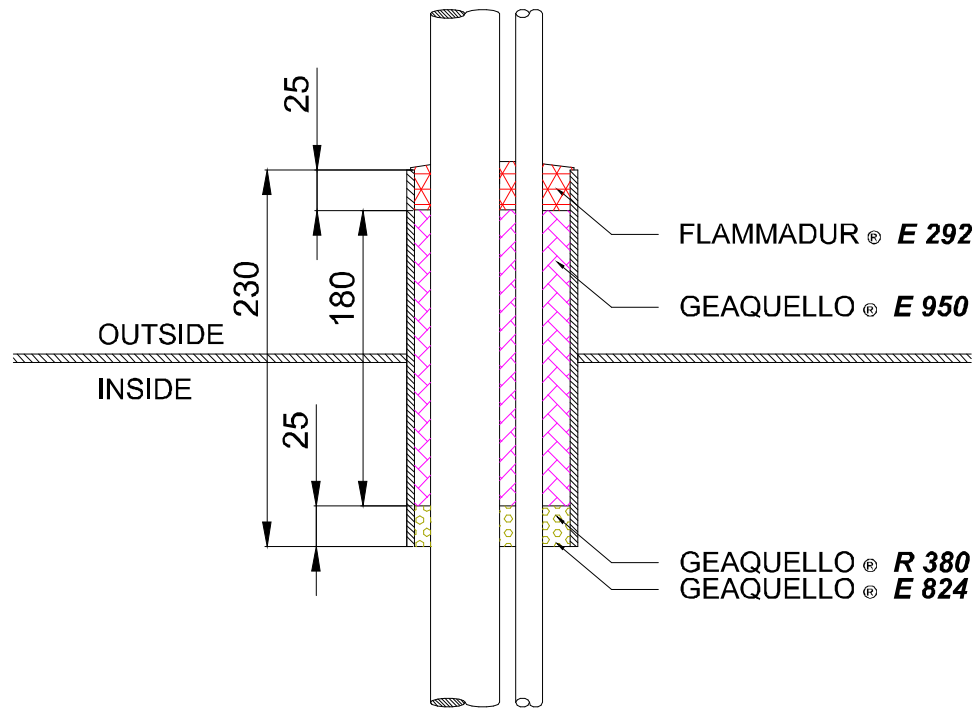
PRODUCT OVERVIEW

SOLAS CERTIFIED APPLICATION FOR PIPES



PRODUCT OVERVIEW

GEAQUELLO® E 950 SEALING SYSTEM



ELNOVIS

www.elnovis.com

GEAQUELLO® E 950 SEALING SYSTEM

Tel: +30 210 4821 100

PRODUCT OVERVIEW

ADDITIONAL WEATHER PROTECTION

VERTICAL APPLICATION



In cases in which the sealing compound gets wet, it should be protected.
E292 & A386 are tight against oils and other technical fluids.

E292

2c PUR
Sealing
Compound

for installation
in dry conditions



A386

2c EPOX
Sealing
Compound

for installation
in dry & wet conditions

ELNOVIS

www.elnovis.com

GEAQUELLO® E 950 SEALING SYSTEM

info@elnovis.com

PRODUCT OVERVIEW

ADDITIONAL WEATHER PROTECTION

HORIZONTAL APPLICATION



E292 T shares the same basic features as FLAMMADUR® E 292.
It is being used for horizontal applications.

E292 T

2c PUR
Sealing
Putty

for installation
in each position



ELNOVIS

www.elnovis.com

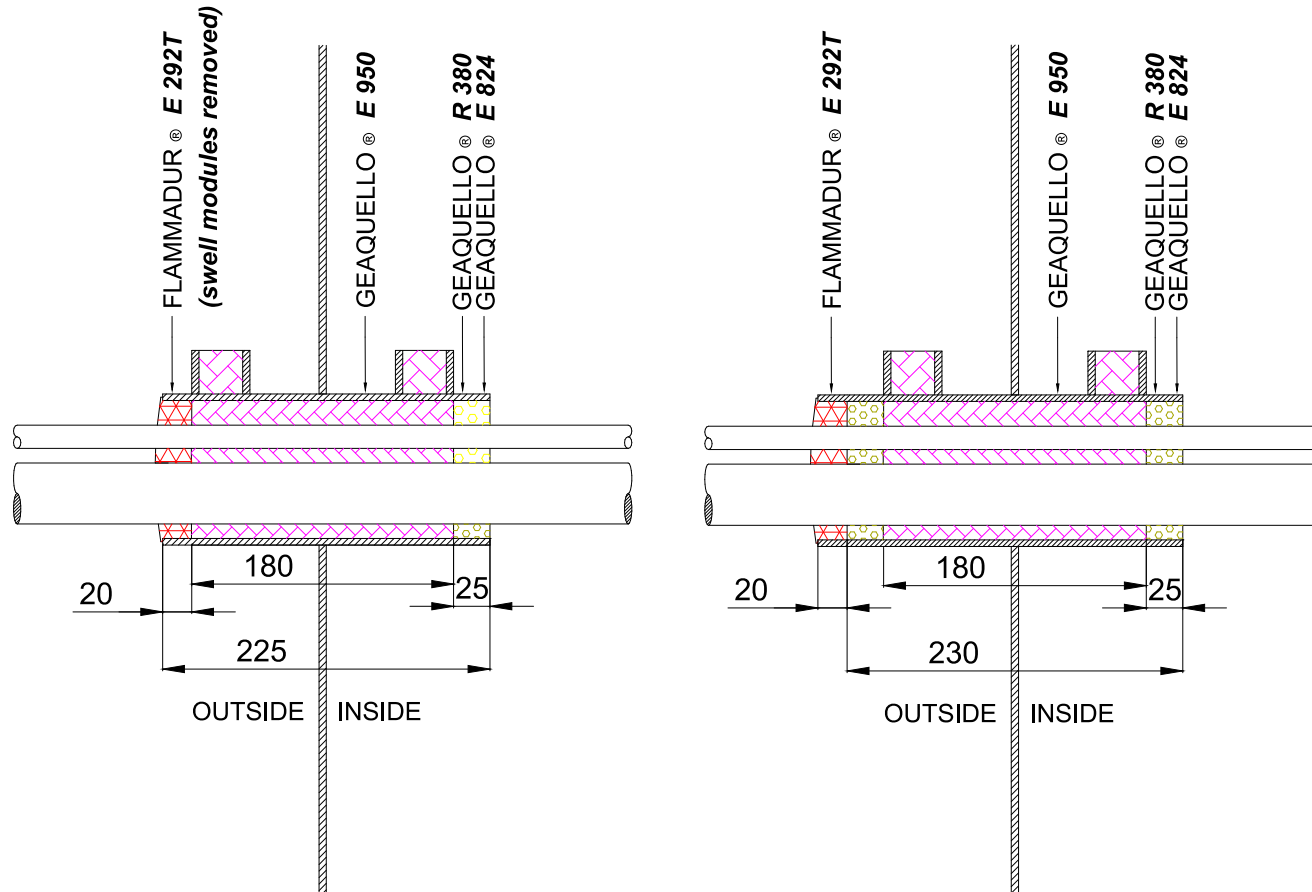
GEAQUELLO® E 950 SEALING SYSTEM

Tel: +30 210 4821 100

PRODUCT OVERVIEW

FLAMMADUR® E 292T

THIXOTROP VERSION



ELNOVIS

www.elnovis.com

GEAQUELLO® E 950 SEALING SYSTEM

info@elnovis.com

ELNOVIS
ELNOVIS
ELNOVIS
ELNOVIS

ELNOVIS Electrical SP IKE

16 Agriniou str.,
177 78 Tavros, Greece

Tel: +30 210 4821 100
Fax: +30 210 4821 101

info@elnovis.com
www.elnovis.com